

# BONSS RF PLASMA SYSTEM PARTS

Ordering Code: ARS-700



## Otolaryngology Bipolar Radiofrequency Plasma Surgery Console



## Saline Flow Control Unit



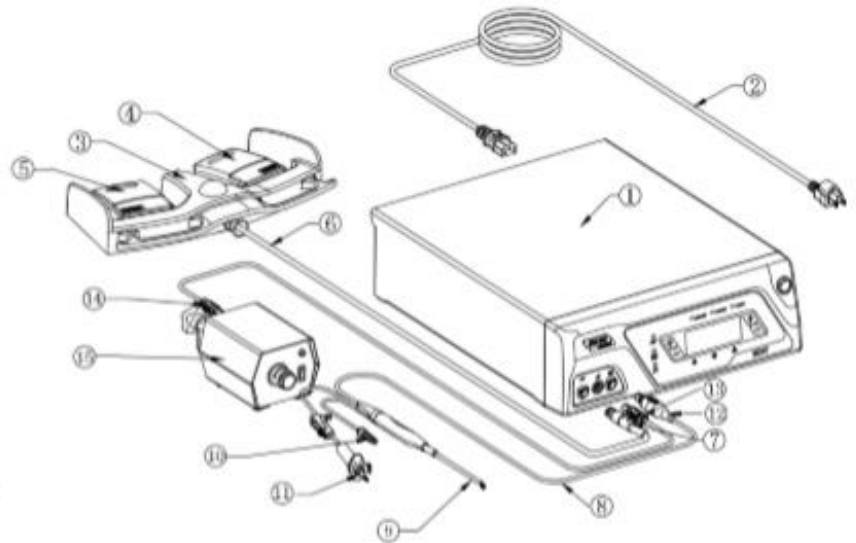
## Dual Foot Switch Control Unit

**BONSS**

## Section 2 System Diagram

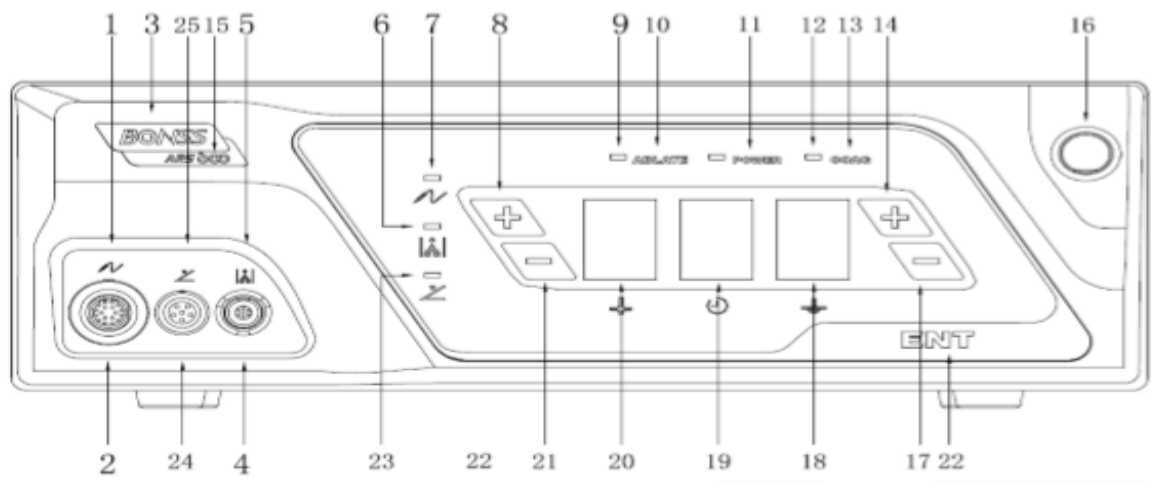
### 2.1 Connection Diagram

1. Generator
2. Power Supply Cable
3. Set Point Adjustment Button
4. ABLATE Pedal
5. COAG Pedal
6. Foot Switch Cable
7. Foot Switch Cable Connector
8. Surgical Electrode Cable or Treatment Cable
9. Surgical Electrode Shaft
10. Suction Tube (Optional on Electrode Type)
11. Irrigation Tube (Optional on Electrode Type)
12. Surgical Electrode Cable Connector or Treatment Cable Connector
13. Flow Control Cable Connector (Optional)
14. Flow Control Cable (Optional)
15. Flow Control Unit (Optional)



**1). Plug one end of the power supply cable into the socket at the rear of Generator, and plug the other end to the electrical outlet (see item 2 on the System Diagram shown above).**

### 2.2 Controls and Indicators



**2). Press the power switch down at the Generator front and wait for 5 seconds (see item 16 on the Controls and Indicators Diagram shown above).**

**3). Plug the foot switch into the socket at the front of Generator (see item 24 on the Controls and Indicators Diagram shown above). The display light of foot switch should turn green. It has three functions as below:**

- ABLATE activation function: Press the yellow control pedal for ABLATE to activate the ABLATE mode.**
- COAG activation functions: Press the blue control pedal for COAG to activate the COAG mode.**
- ABLATE setting adjustment button to adjust the ablation power setting on the Generator (see item 3 on the System Diagram shown above). Each time the ABLATE setting button is pressed, the ablation power setting increases by one level up to the maximum setting point for the specific electrode. Once the maximum level for the selected electrode has been reached, the Generator will cycle back to setting point 1.**

**4). Install the flow control unit if using an electrode with integrated saline irrigation tubing.**

**Clamp the flow control unit to an IV pole and hang a bag of saline on the pole approximately 90cms / 3 feet above the patient to ensure optimal flow during the procedure.**

**Connect the cable to the flow control unit and the socket at the rear of the Generator (see items 13, 14 & 15 on the System Diagram shown above).**

**After successful connection, press the power supply switch up on the saline flow control unit. The power light on the front of flow control unit will turn green, and the flow control valve will open.**



Ensure that the roller clamp on the irrigation tubing is closed prior to the saline bag being spiked. Once completed the saline irrigation tubing can then be inserted into the flow control valve.

Once inserted, the roller clamp can be released. Observe for signs of saline emerging from the tip of the electrode. Once noted, the roller clamp can be adjusted to the preferred flow rate and the power supply switch on the saline flow control unit down switched into the AUTO position.

In the AUTO position saline irrigation should only occur when the surgeon presses on the foot pedal.

5). Plug the integrated cable of the preferred electrode into the corresponding socket on the front of the Generator (see item 2 on the Controls and Indicators Diagram shown above). The display light of electrode turns green.

Once connected to the generator, the default COAG and ABLATE settings for the selected electrode will be shown on the displays (see item 18 and 20 on the Controls and Indicators Diagram shown above). These can be adjusted as required and as per surgeon preference.

6). The integrated suction tubing of the preferred electrode can be connected to the theatre suction.

*For further information please refer to the BONSS Radio Frequency Plasma Surgical Systems User's Manual.*



01635 887640

[service@severnhealthcare.com](mailto:service@severnhealthcare.com)

42 Kingfisher Court, Hambridge Road, Newbury, Berkshire RG14 5SJ

